



SPECIFICATION SHEET

Model #:	Qty:
Project #:	
Consultant:	

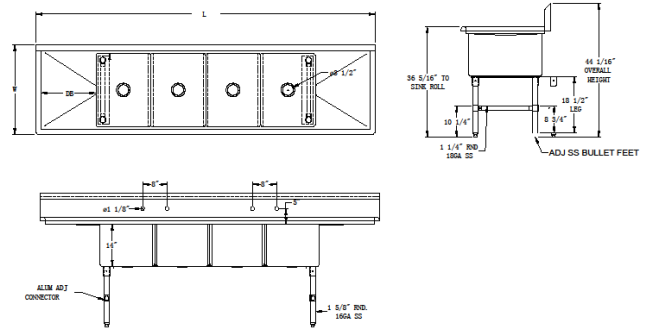
QUALITY FOOD SERVICE EQUIPMENT

PREMIUM SINKS



DIMENSIONS

4 bowls - 2 drainboards



MATERIAL

- ◆ 16GA 300 stainless steel fabricated
- ◆ Stainless steel legs & gussets
- ◆ Stainless steel cross bracing
- ◆ Stainless steel bullet feet

FEATURES

- ◆ 10"H backsplash with 2" return to wall
- ◆ 8" on center splash mount faucet holes (*has 2 sets)
- ◆ 3-1/2" die-stamped drain opening
- ◆ 2 drainboards (1 on each side)
- ◆ Cross bracing for reinforced support
- ◆ Adjustable bullet feet

Model#	Bowl Size LxWxH	Length	Width	Drainboard Size
4SS-182414LR18*	18" X 24" X 14"	111-1/4"	29-1/2"	18"